



Read all instructions **BEFORE** assembly and **USE** of product.

KEEP INSTRUCTIONS FOR FUTURE USE.

CORSO[®] FLEX

Convertible Stroller

! WARNING

Failure to follow all warnings and instructions may result in serious injury or death. For your child's safety, read the labels and owner's manual before using the product.

- PLEASE SAVE OWNER'S MANUAL FOR FUTURE USE.
- ADULT ASSEMBLY REQUIRED.
- NEVER LEAVE CHILD UNATTENDED. Always keep child in view while in the stroller.
- AVOID SERIOUS INJURY from falling or sliding out. Always use seat belt. After fastening buckles, adjust belts to get a snug fit around your child.
- Seated child should be secured in the youth seat at all times by the seat belt.
- AVOID FINGER ENTRAPMENT: Use care when folding and unfolding the stroller. Be certain the stroller is fully opened and latched before allowing your child near the stroller.
- USE OF THE STROLLER with two children weighing more than 40 lbs each (18 kg), and/or taller than 43 inches (109.2 cm) will cause excessive wear and stress on the stroller.
- Never use the Stroller with more than 2 children at a time.
- It is recommended that the platform be used by children who are at least 2 1/2 years old, with good balance and coordination.
- STROLLER TO BE USED only at walking speed. Product not intended for use while jogging, skating, etc.
- AVOID TIPPING! DO NOT overload front seat, youth seat or standing platform past the recommended weight ratings.
- TO PREVENT A HAZARDOUS, UNSTABLE CONDITION, never place purses, shopping bags, parcels or accessory items on the canopy or handle. Do not place more than 10 lbs (4.5 kg) in the storage basket, or 15 lbs (6.8 kg) in the Car Seat Adaptor Basket and the Small Shopping Basket.
- DO NOT use storage basket as a child carrier.
- Avoid burns. Never put hot liquids in cup holder. Do not place more than 3 lbs (1.4 kg) on the parent tray/cup holders.
- NEVER ALLOW YOUR STROLLER to be used as a toy.
- DISCONTINUE USING YOUR STROLLER should it become damaged or broken.
- AVOID STRANGULATION. DO NOT place items with a string around your child's neck, suspend strings from this product, or attach strings to toys.

! WARNING

Failure to follow all warnings and instructions may result in serious injury or death. For your child's safety, read the labels and owner's manual before using the product.

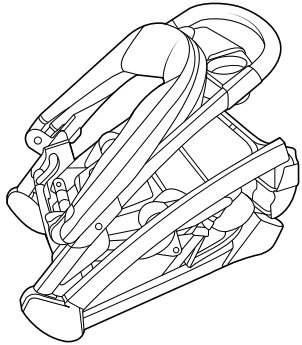
- NEVER USE STROLLER ON STAIRS or escalators. You may suddenly lose control of the product and your child may fall out. Also, use extra care when going up or down a step or curb.
- Before use, remove and dispose of all plastic bags and packaging materials and keep them out of reach of children.
- Before assembly, check that the product and all of its components have not been damaged during transportation.
- Do not use accessories, spare parts, or any component not supplied or approved by Chicco as they may make the stroller unsafe.
- Do not attempt to attach any infant car seat to the stroller other than the Chicco infant car seat. Injury or death may result when attempting to use this stroller in conjunction with infant car seats from other manufacturers.

Using Chicco infant car seat with stroller:

- Infant Car Seat Adapter must be properly attached to use the Chicco infant car seat.
- ONLY USE Chicco infant car seat with this stroller.
- Only use this product to transport infants that are within the size and weight limitations of the infant car seat.
- FALL HAZARD: Always check that infant car seat is securely attached to stroller frame by pulling up on the infant car seat.
- ALWAYS SECURE your child with the car seat harness. Always make sure child is properly harnessed in the car seat.
- Refer to your Chicco infant car seat owner's manual for additional warnings and use instructions before using this product.

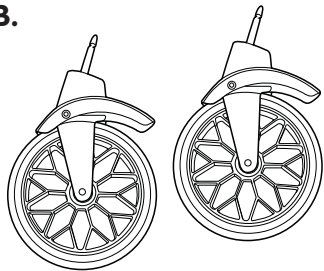
Components

A.



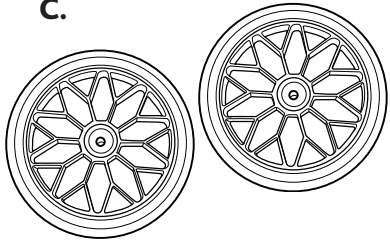
A. - Stroller Frame :
Youth Seat and Standing Platform
are fixed to Stroller Frame
Accessory
Canopy is attached to Stroller Frame

B.



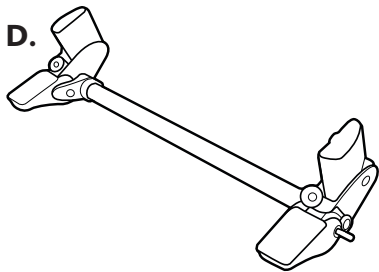
B. - Front Wheels

C.



C. - Rear Wheels

D.



D. - Rear Axle Assembly

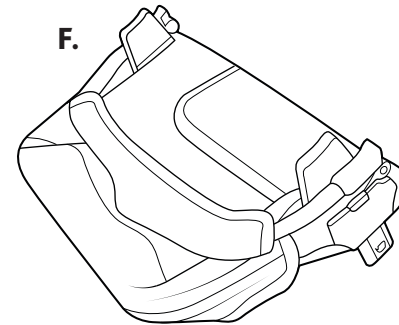
Components

E.



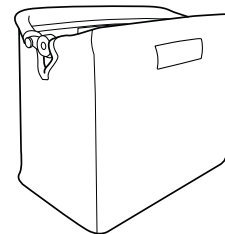
E. - Modular Seat with Canopy

F.



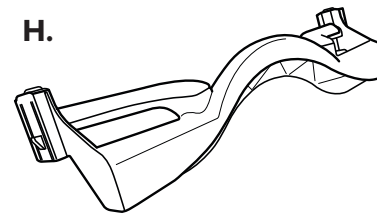
F. - Infant Car Seat Adapter with
Removable Basket

G.



G. - Small Shopping Basket

H.



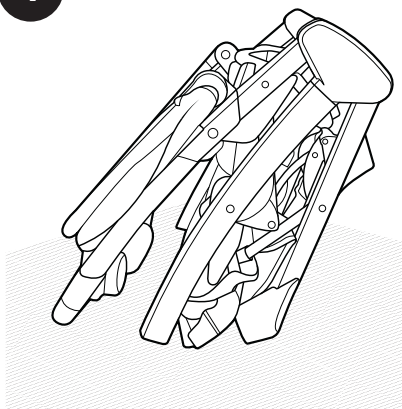
H. - Grip Bar

How to Assemble Stroller

⚠ WARNING

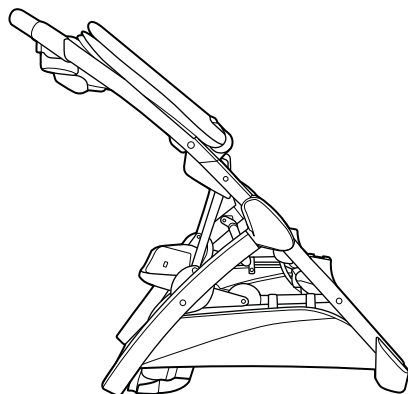
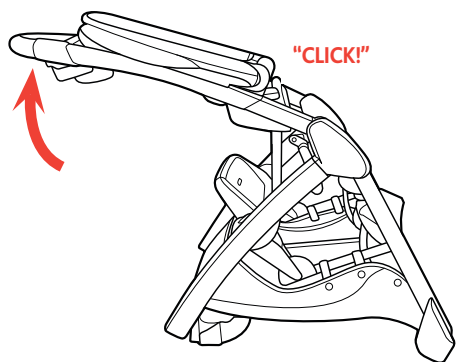
When opening the Stroller, ensure that your child, or other children, are at a safe distance. Ensure that during these operations, the movable parts of the Stroller do not come into contact with your child.

1



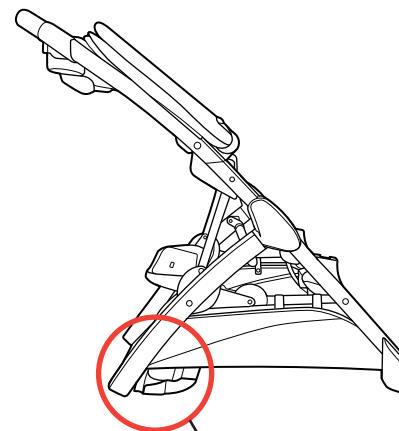
If you have hardwood floors or linoleum you may want to perform this step on carpeting or lay down some protection for your floors.

1. Stand the Stroller Frame (A) on end, as shown. Locate the handle and rotate the handle up and unfold the Stroller Frame. Make sure the frame is fully open and locked by pressing down on the handle.

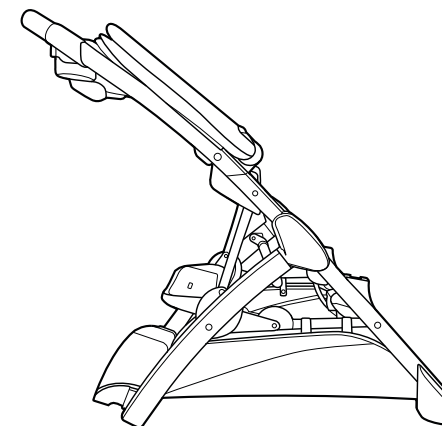
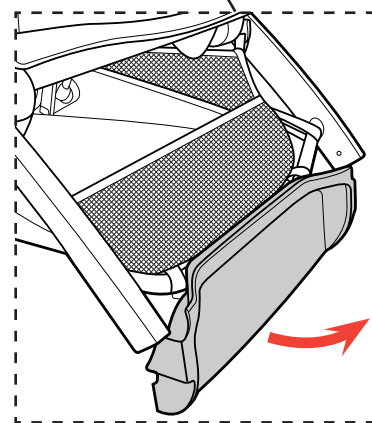


How to Assemble Stroller

2

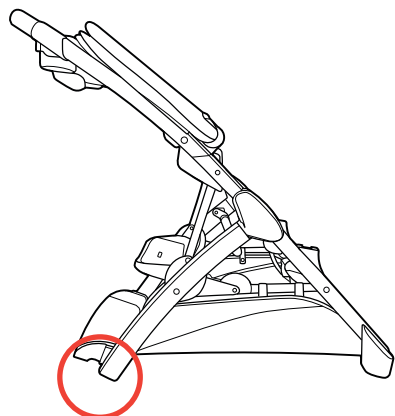


2. To attach the Rear Axle Assembly (D), rotate the Standing Platform up into its correct position. This will allow the Rear Axle Assembly to be attached securely to the Stroller Frame.



How to Assemble Stroller

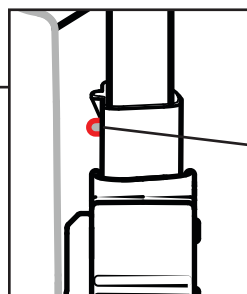
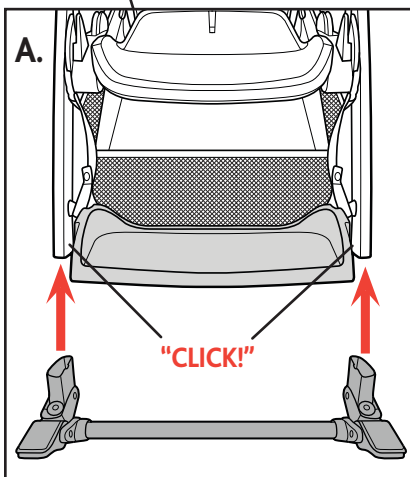
3



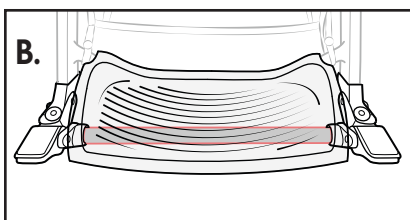
3. Line up the Rear Axle Assembly (D) to the Stroller Frame. Make sure the Standing Platform is in the correct position as shown in 3A.

Then attach the Rear Axle Assembly to the Stroller Frame, making sure both snap buttons click into the holes on either side of the Rear Axle mount.

Make sure the Rear Axle bar is positioned below the Standing Platform, as shown in 3B.

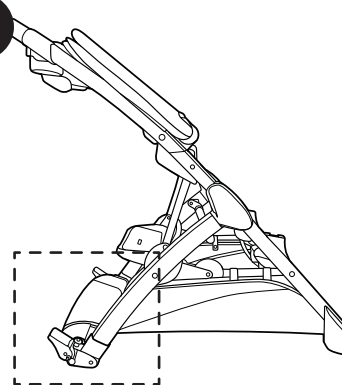


Snap Button



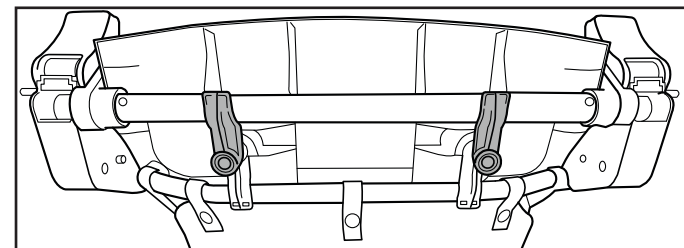
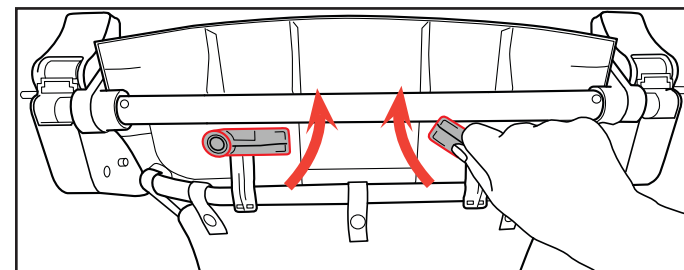
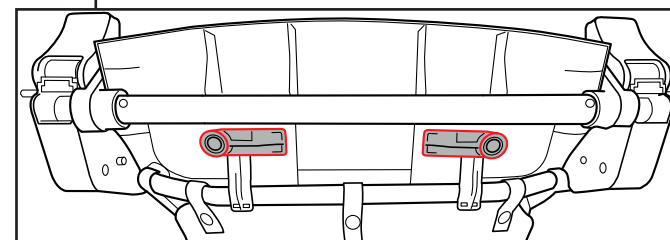
How to Assemble Stroller

4



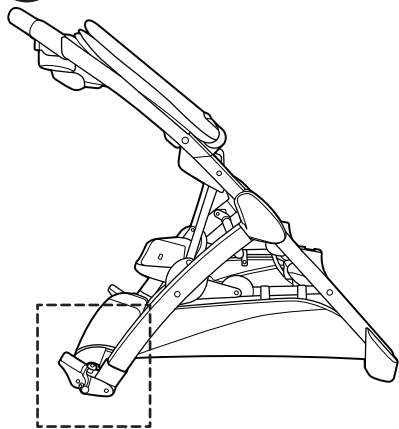
4. To lock the Standing Platform onto the Rear Axle Assembly, flip the stroller over and turn both levers, as shown.

The platform levers need to rotate so that they rest on top of the Rear Axle and lock the Standing Platform in place. Pull on the platform to make sure it is secure on the axle.



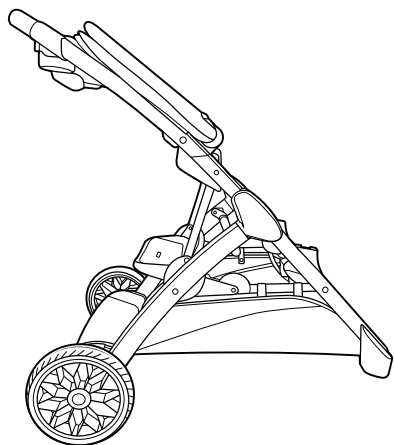
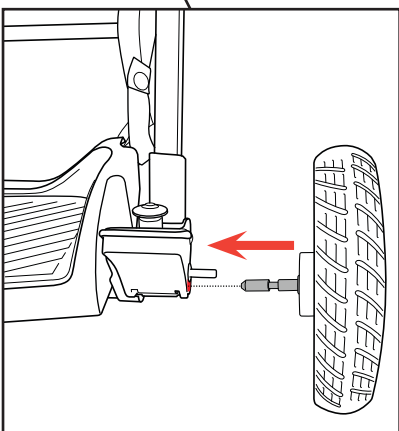
How to Assemble Stroller

5



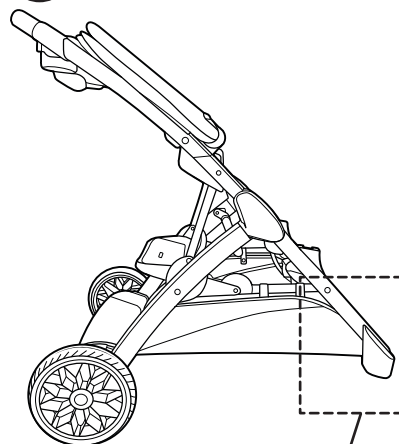
5. Attach the Rear Wheel (C) to the Stroller Frame by lining up and inserting the Rear Wheel Axle into the corresponding opening on the Stroller Rear Axle Tube, as shown. Repeat for the other side. If the brake pin interferes, lift the brake pedal to release brake, or rotate wheel until it does not interfere with the brake pin and then finish inserting the Rear Wheel Axle.

Make sure both Wheels are secure by pulling out on Wheel assemblies.



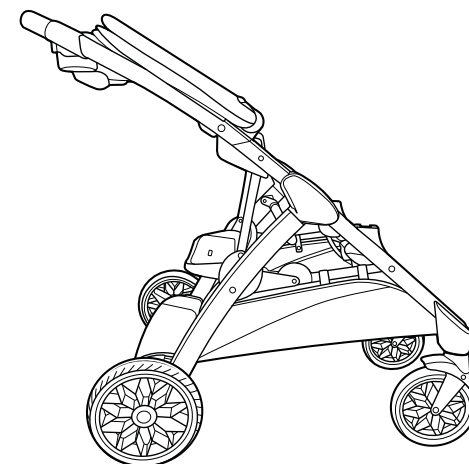
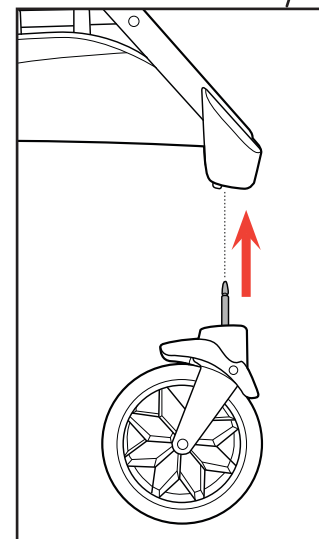
How to Assemble Stroller

6



6. Attach the Front Wheel (B) to the Stroller Frame by lining up and inserting the Front Wheel Pin into the corresponding opening on the Stroller Front Leg, as shown. Repeat for the other side.

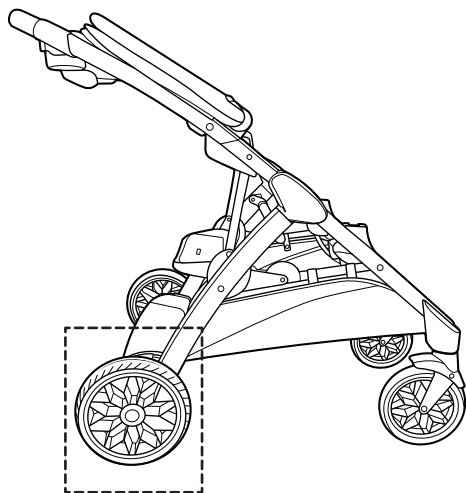
Make sure both Wheels are secure by pulling down on Wheel assemblies.



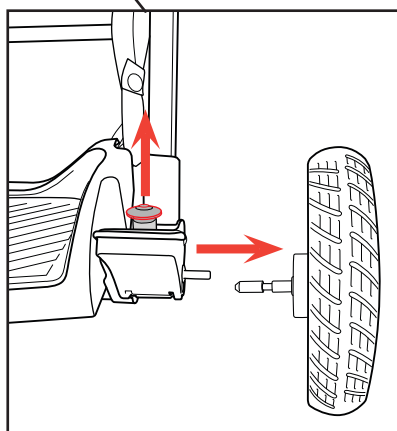
How to Assemble Stroller

If you need to remove the wheels

7A

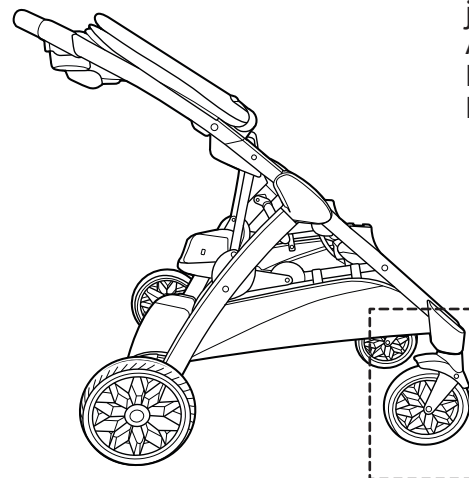


7A. Remove the Rear Wheels by pulling on the Release Lever, just above the brake lever, as shown. And, at the same time, pull the Rear Wheel off of the Stroller Frame. Repeat for the other side.

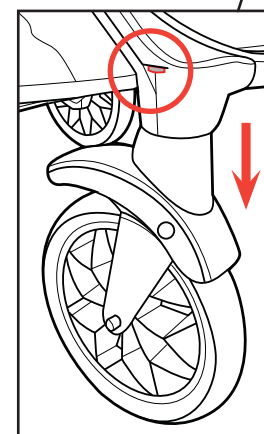


How to Assemble Stroller

7B



7B. Remove the Front Wheels by pushing in on the Release Button, just above the wheel (as shown). And, at the same time, pull the Front Wheel off of the Stroller Frame. Repeat for the other side.

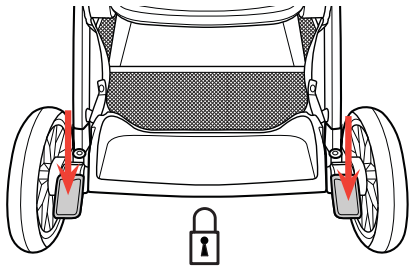


How to Use Brakes

⚠️ WARNING

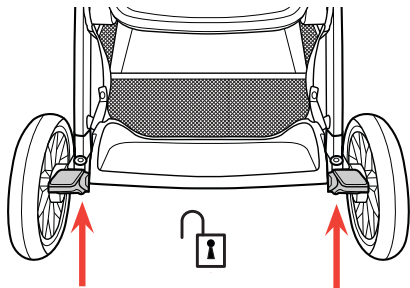
Always apply the brakes whenever the stroller is stationary. Never leave the stroller on a sloped surface, with a child onboard, even with the brakes applied.

8A



8A. Push down on the Brake Lock Levers located on each side of the Rear Wheel assembly, to lock the Rear Wheels.

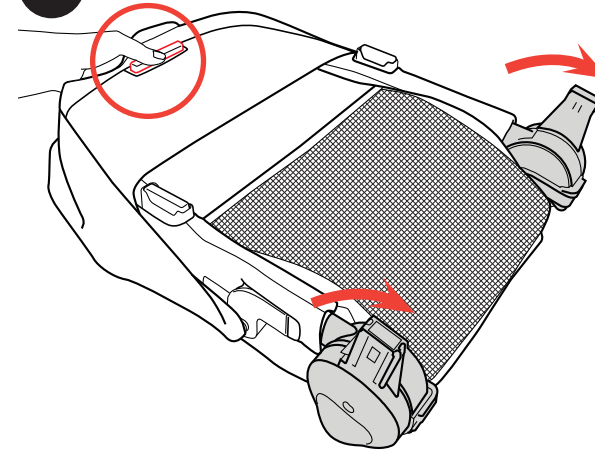
8B



8B. Pull up on the Brake Lock Levers to unlock the Rear Wheels.

How to Use Modular Seat

9A

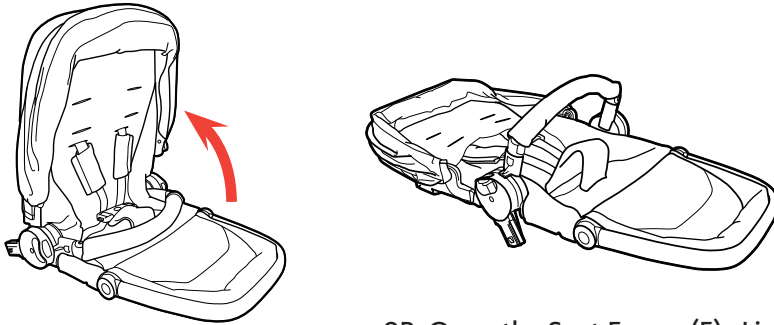


9A. Prepare Modular Seat (E) for attachment to Stroller Frame. Make sure the hub posts are both in the same position, as shown.

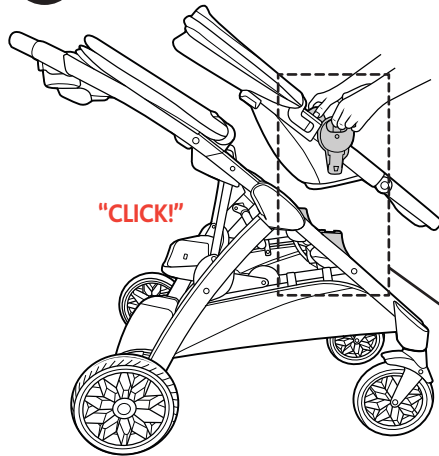
If not, squeeze the recline handle with one hand and rotate the hub post with the other.

How to Use Modular Seat

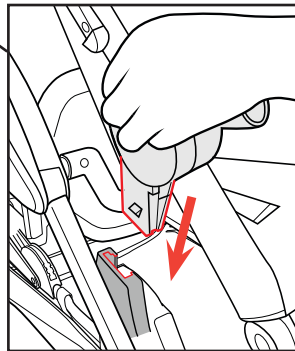
9B



9C



9B. Open the Seat Frame (E). Line up and insert the attachment hubs on both sides of the Seat Frame into the lower attachment slots on the Stroller Frame, as shown (9C). Pull up on the Seat Frame to make sure it is securely attached to the Stroller Frame.

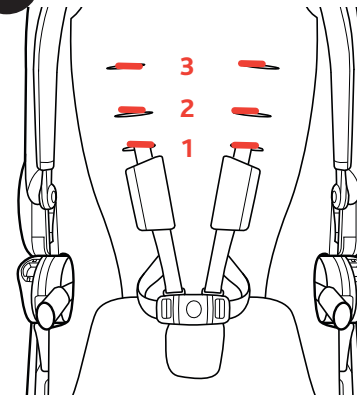


How to Use Modular Seat

⚠ WARNING

This stroller features three harness positions. Always use a harness position located ABOVE the child's shoulder line. If multiple harness positions are above the child's shoulder line, use the one closest to it.

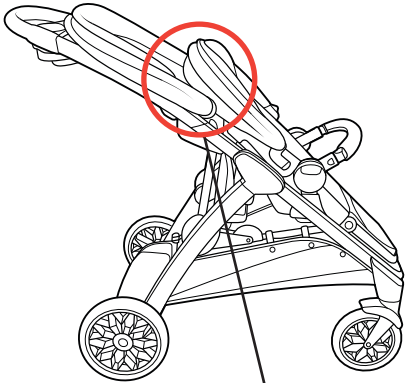
10A



10A. The Shoulder Straps can be adjusted to 3 height positions as shown.

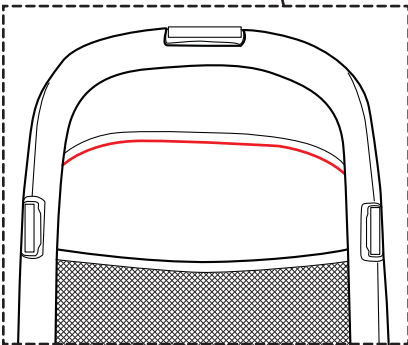
How to Use Modular Seat

10B

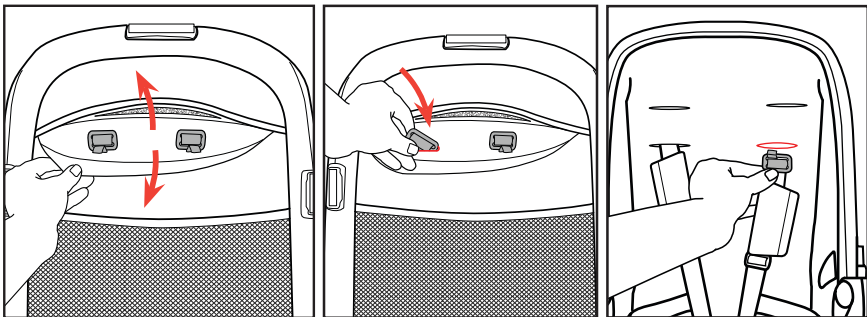


10B. To adjust the Shoulder Harness to another height position, locate the D-ring on the back of the seat as shown. Release the hook and loop material at the top of the seat back to expose the seat board. Slide the D-ring through opening on the seat back. Then pull through the opening on the seat pad. Re-insert the D-ring into the correct height position, and repeat for the other side.

Always use the same height position for both straps. Depending on Shoulder Harness height position, D-ring may be located below visible opening in seat back.

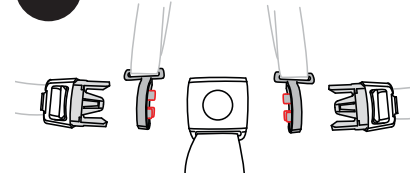


Seat Front



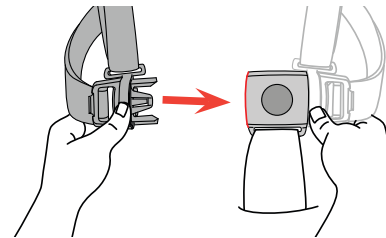
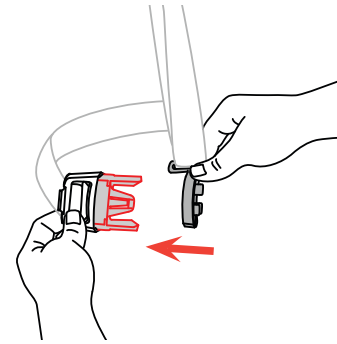
How to Use Modular Seat

11



11. This stroller has a 5-point safety harness. The Shoulder Strap Connector is designed to break away from the Waist Clip when not secured in the Crotch Strap Buckle.

Make sure the Shoulder Strap Connector is in the correct position, as shown. Slide the Shoulder Strap Connector onto the Waist Strap Clip and repeat for the other side. Then slide both Waist Clips into the Crotch Strap Buckle, as shown. Pull on both sides to make sure the Clips are secured to the Buckle.

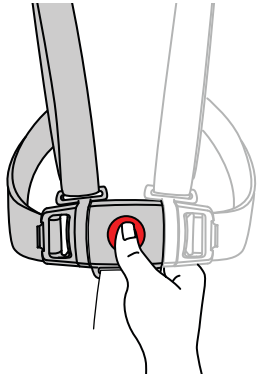


How to Use Modular Seat

⚠ WARNING

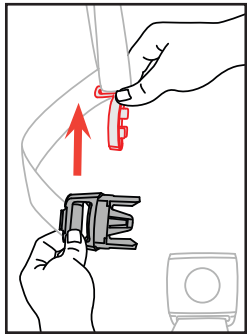
Never leave child unattended. Avoid serious injury from falling or sliding out. Always use Safety Harness.

12



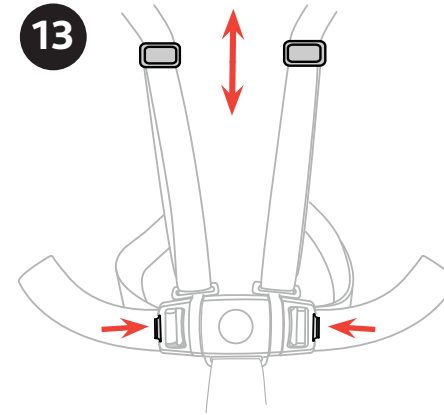
12. The Safety Harness can be released by pressing the button on the center of the Buckle and pulling both Waist Clips out.

Pull up on the Shoulder Strap Connector to remove it from the Waist Strap Clip.



How to Use Modular Seat

13

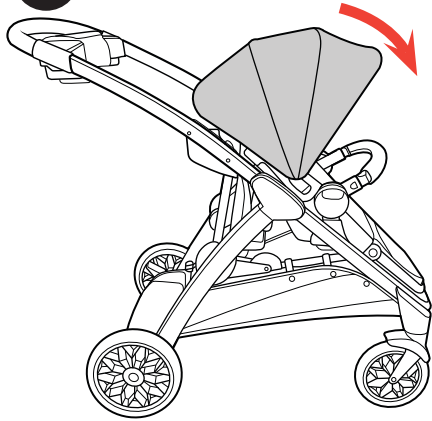


13. The length of the Shoulder Straps can be adjusted by pulling on the adjustment buckles to tighten or loosen.

The length of the waist straps can be adjusted. Press the tab at the end of the Waist Strap Clip and pull on the strap to tighten or loosen, to better fit your child.

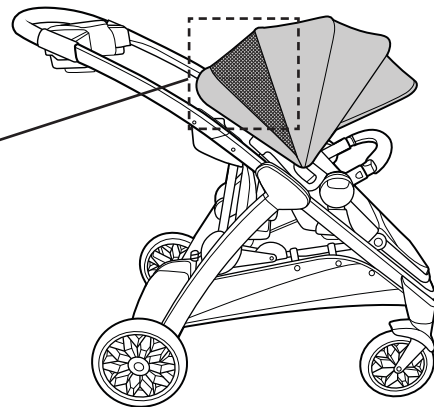
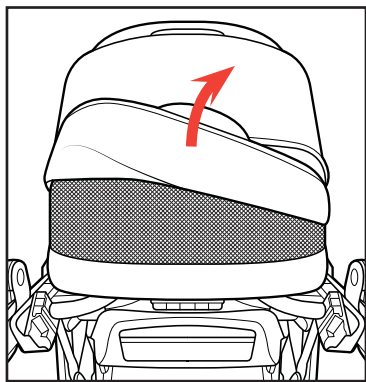
How to Use Modular Seat

14A



14A. To open the Seat Canopy, pull the front edge of the Seat Canopy forward. Reverse this step to close the Seat Canopy.

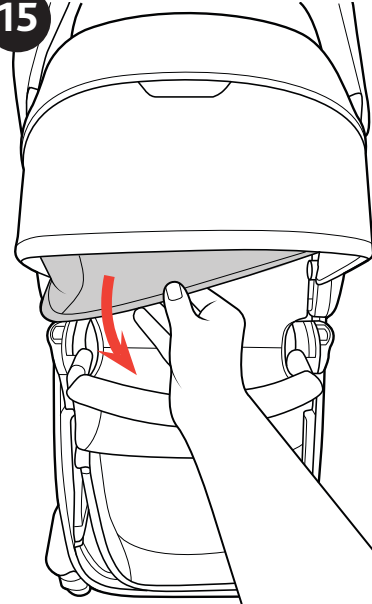
14B



14B. The canopy has a mesh panel that can be used for increased airflow or as a peekaboo window. The curved shape of the canopy holds the flap in position. Pull forward on the Seat Canopy flap to uncover the mesh panel. Reverse this step to close the mesh panel.

How to Use Modular Seat

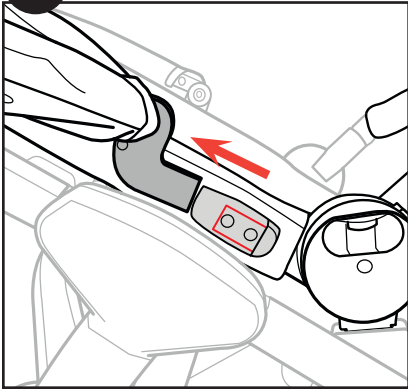
15



15. To Extend the Seat Canopy, locate extension panel under the front edge of the Seat Canopy. Pull forward on the extension panel. Reverse this step to tuck the extension panel back under the front Seat Canopy section.

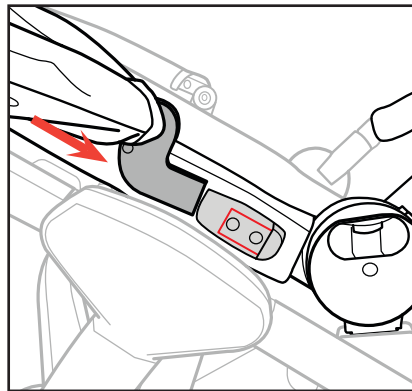
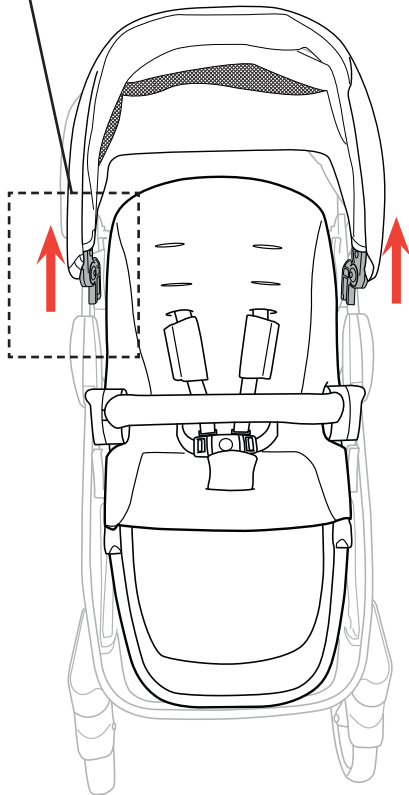
How to Use Modular Seat

16



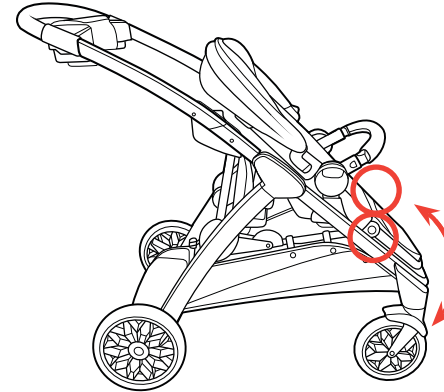
16. To remove the Seat Canopy, slide the Canopy attachment clips away from the attachment points on the Seat Frame, as shown. Store the Seat Canopy for later use.

To re-attach the Seat Canopy, position Canopy so the back panel of Canopy is located behind the seat frame. Slide the Seat Canopy attachment clips onto the corresponding attachment points on the Seat Frame, as shown.



How to Use Modular Seat

17



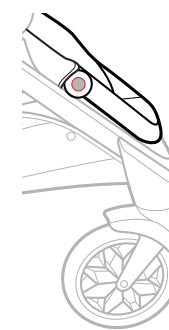
The Footrest can be adjusted to 4 positions.

17. Press in on both Footrest Buttons and, at the same time, rotate the Footrest up or down to the desired position.

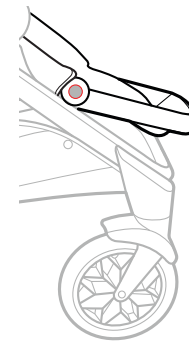
1.



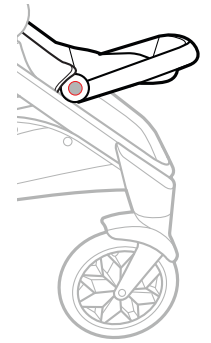
2.



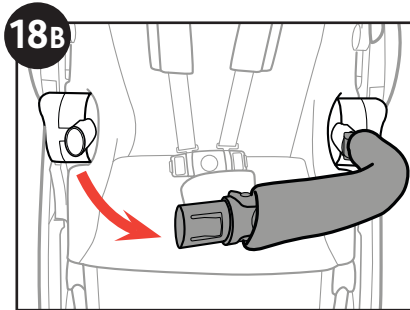
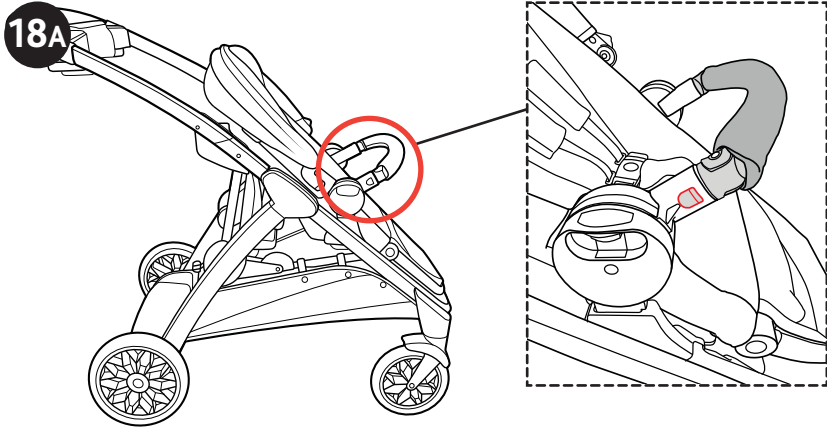
3.



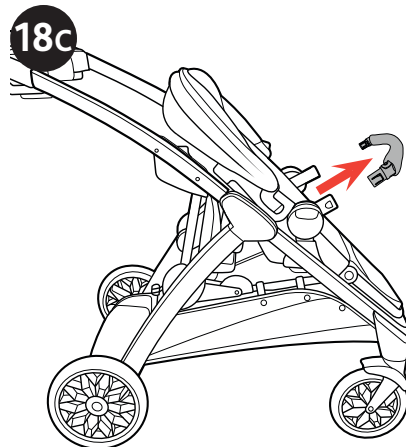
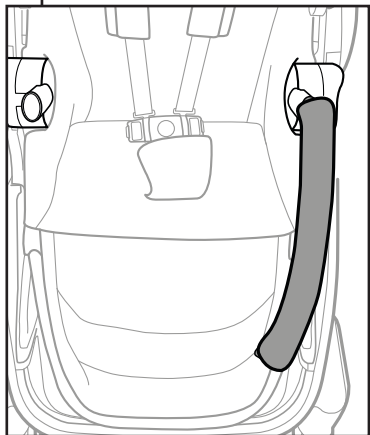
4.



How to Use Modular Seat



18A. To remove Armbar, press in on the buttons located at the sides of the Armbar, as shown. Undo one side of the Armbar, and swing away to the side (18B). Undo both sides and remove completely (18C). To re-attach the Armbar insert the Armbar Tongues into the corresponding openings on the Seat Frame.



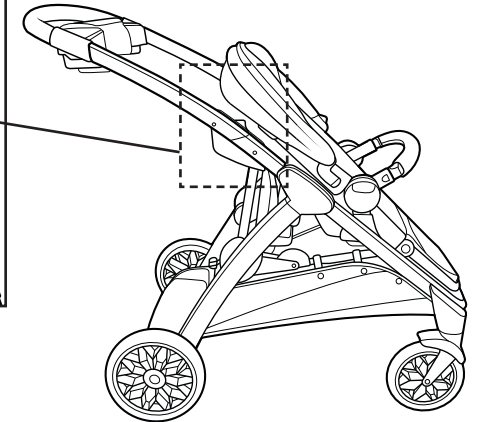
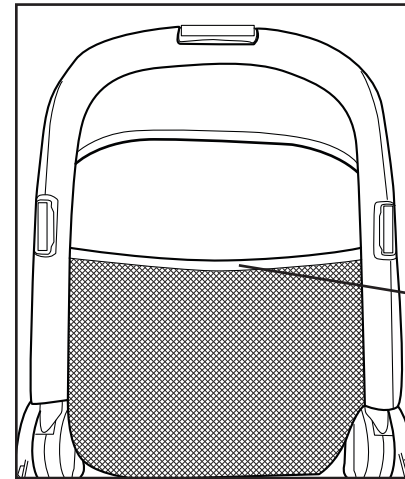
How to Use Modular Seat

⚠ WARNING

Never place more than 1 lb (0.5 kg) in seat back pocket.

19

19. Locate the mesh organizer pocket on the back of the seat.



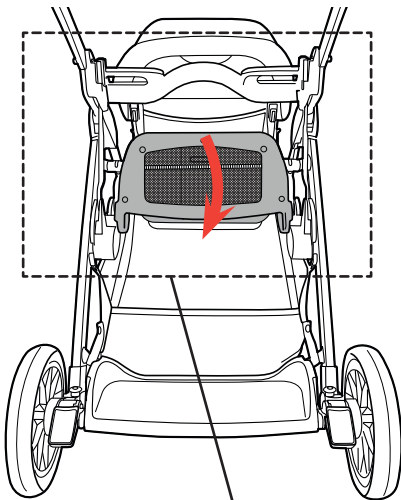
Note: The Stroller is ready to use with a child standing and a child sitting in the Modular Seat .

How to Use Youth Seat

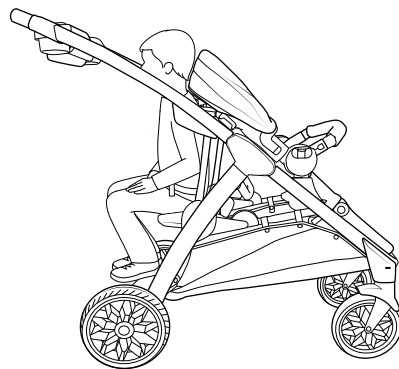
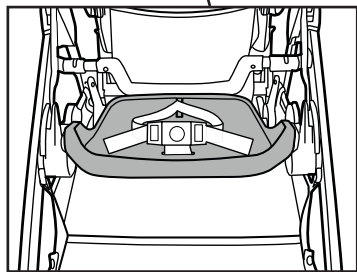
⚠ WARNING

Excessive wear and stress on the stroller can occur when using the stroller with two children whose weight totals more than 80 lbs (36.3 kg).

20

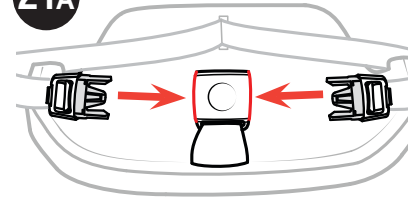


20. To use the Youth Seat, fold down the seat and unbuckle the 3-Point Harness.



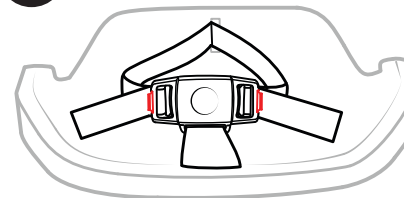
How to Use Youth Seat

21A



21A. Wrap the Waist Straps around the child's waist and insert the clips into the Crotch Strap Buckle between the child's legs.

21B

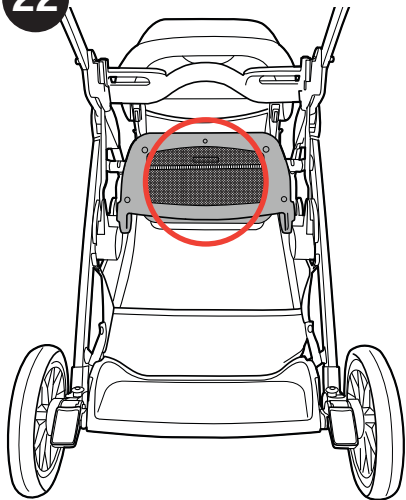


Adjust the Waist Straps to be snug around the child's waist.

21B. The length of the Waist Straps on the Youth Seat can be adjusted. Press the tab at the end of the Waist Strap Clip and pull on the strap to tighten or loosen, to better fit your child.

How to Use Standing Platform

22

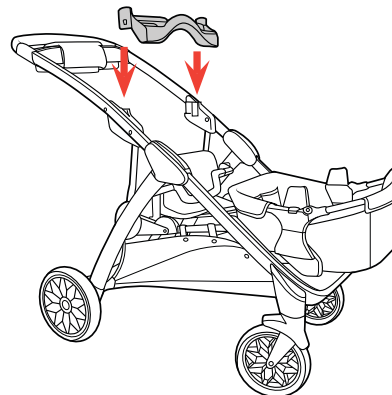


22. Fold the Youth Seat up to allow the child to stand on the Standing Platform.

Do NOT place more than 1 lb in the Pocket located under the Youth Seat.

How to Use Standing Platform

23A



Make sure the Grip Bar is attached when using the Standing Platform.

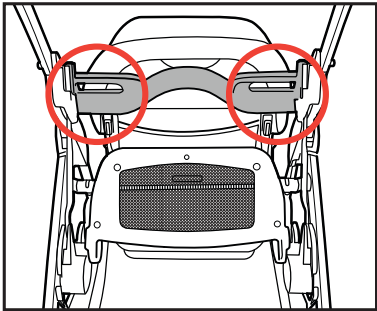
23A. The Grip Bar will insert into the hubs with the hand-hold loops to the back of the stroller. Line up and insert the attachment hubs on both sides of the Grip Bar into the upper attachment slots on the Stroller Frame, as shown.

How to Use Standing Platform

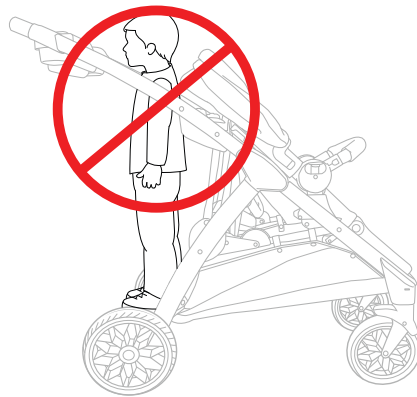
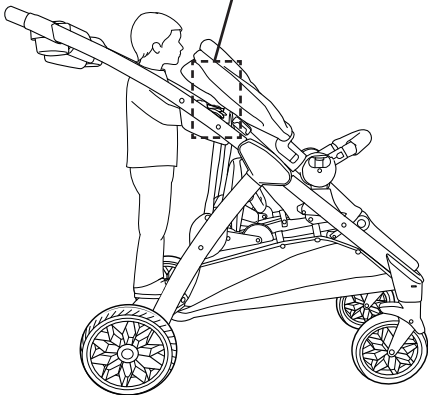
⚠ WARNING

When pushing stroller, Do not allow child to stand on platform facing backwards. Do not allow child to stand on seat. To avoid falling, child must hold onto handles and keep both feet on platform. It is recommended that the platform be used by a child at least 2 1/2 years old, with good balance and coordination.

23B

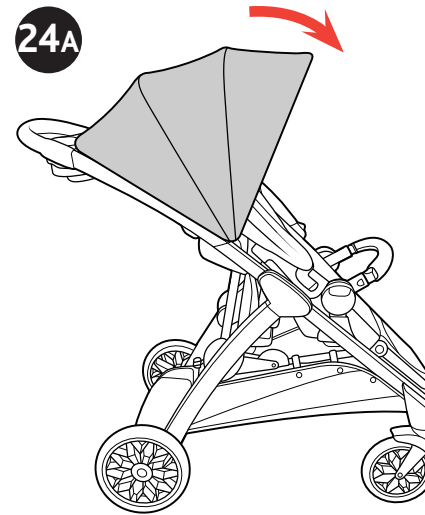


23B. Always have child use the Grip Bar located behind the Front Seat as highlighted. Make sure the child has BOTH feet on the Standing Platform at all times.

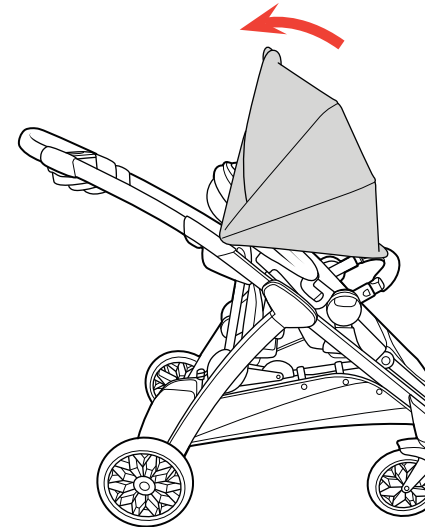


How to Use Accessory Canopy

24A

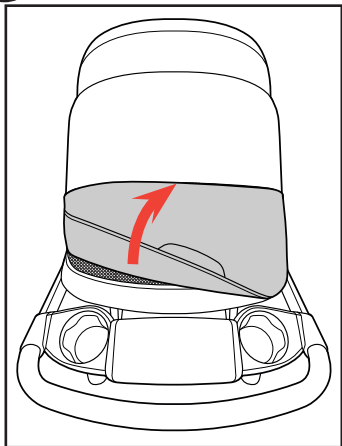


24A. To open the Canopy, pull the front edge of the Canopy forward. Reverse this step to close the Canopy. The Canopy position can be adjusted by continuing to pull forward on the front edge so the Canopy rotates forward.

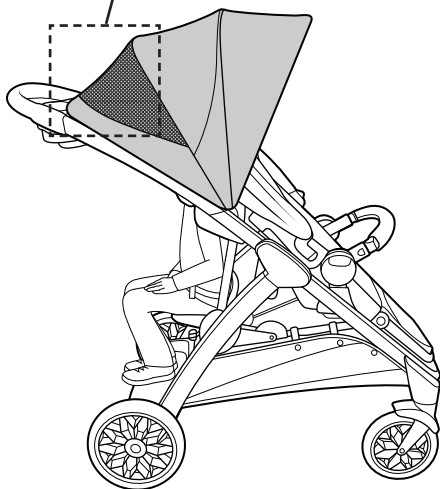


How to Use Accessory Canopy

24B

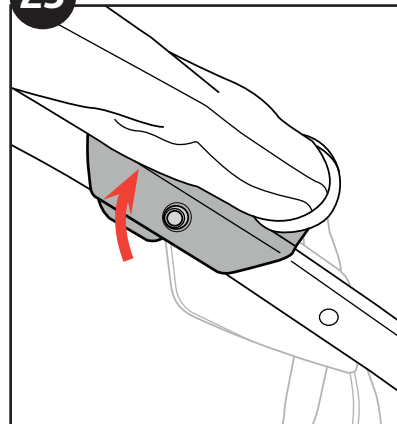


24B. The canopy has a mesh panel that can be used for increased airflow or as a peekaboo window. The curved shape of the canopy holds the flap in position. Pull forward on the Canopy flap to uncover the mesh panel. Reverse this step to close the mesh panel.



How to Use Accessory Canopy

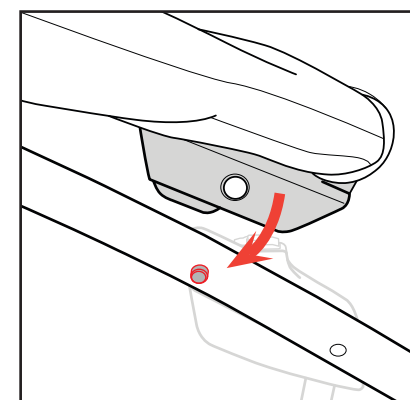
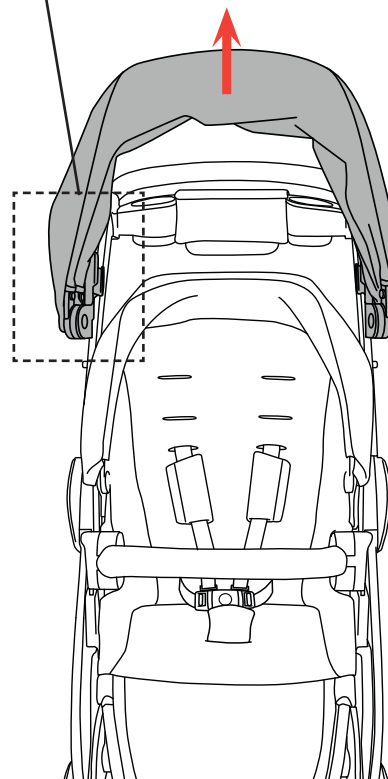
25



25. To remove the Stroller Canopy, lift up on the canopy clip tab and twist it away from the frame down tube. Repeat for the other side. Store the Stroller Canopy for later use.

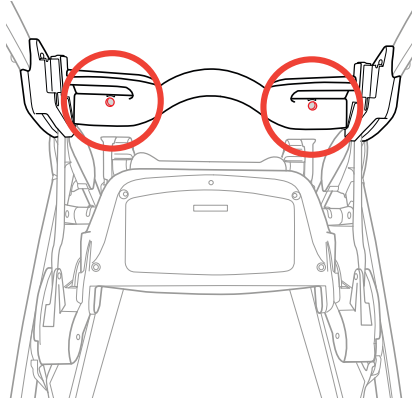
To attach Stroller Canopy, fasten both Stroller Canopy clips to the stroller frame, making sure the RIVET ON THE FRAME is centered in the hole on the Stroller Canopy Clip.

Note: It is required for the Accessory Canopy to be removed if using the stroller with an Infant Car Seat in the top position.



How to Use Shopping Basket

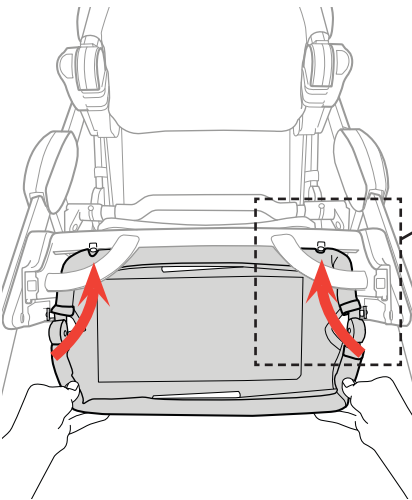
26A



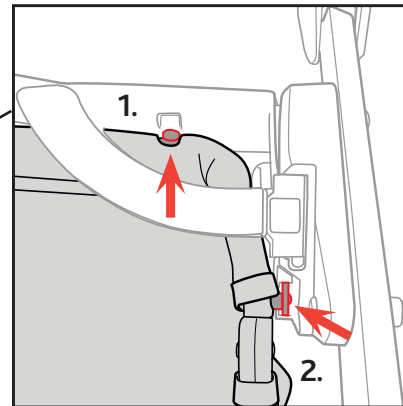
26A. With the Grip Bar attached, locate two pin holes below the Grip Bar handles, as shown.

26B. Attach the Small Shopping Basket to the stroller frame. Tilt the front of the Shopping Basket down and insert both pins into the pin holes below the Grip Bar (1), as shown.

26B



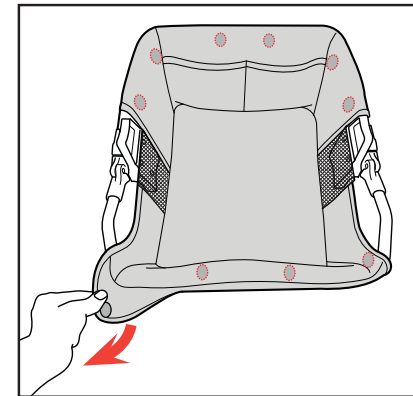
Then press down on both side locking attachment points (2).



How to Use Infant Car Seat Adapter

Infant Car Seat Adapter and basic function:

- The Infant Car Seat Adapter will only attach to the stroller frame in one direction.
- The Infant Car Seat Adapter can be attached to the stroller frame in either the Upper or Lower Modular Positions.
- A Chicco Infant Car Seat will only attach to the Infant Car Seat adapter in one direction, Parent-Facing.
- The Infant Car Seat Adapter includes a fabric basket that can be used as an additional storage basket.
- The Infant Car Seat Adapter fabric basket can be removed by unsnapping the fabric attachment points (10 snaps) from around the adapter frame.



- The Infant Car Seat Adapter can be used without the fabric basket to attach a Chicco Infant Seat to the stroller.
- The Infant Car Seat Adapter can be used with the fabric basket to attach a Chicco Infant Seat to the stroller. Do not store anything in the basket when attaching a Chicco infant seat.

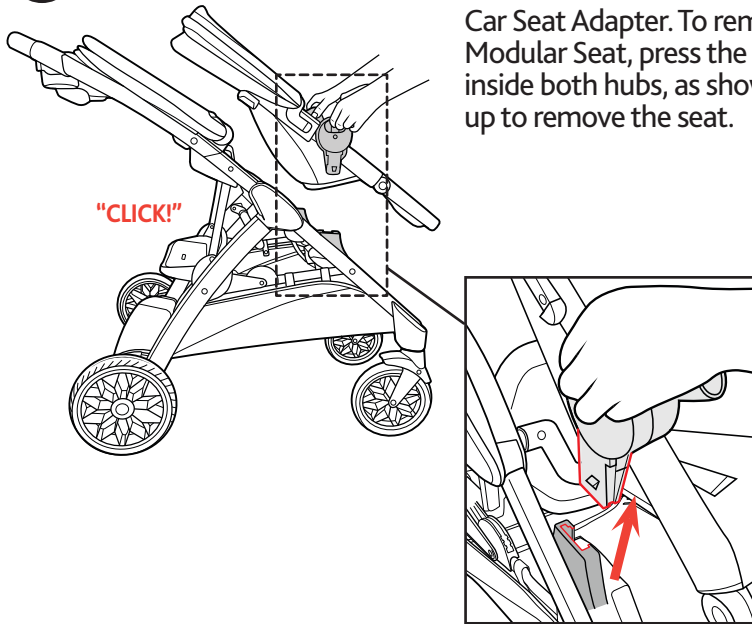
How to Use Infant Car Seat Adapter

⚠ WARNING

Do not remove the Seat from the Stroller frame with the child inside.

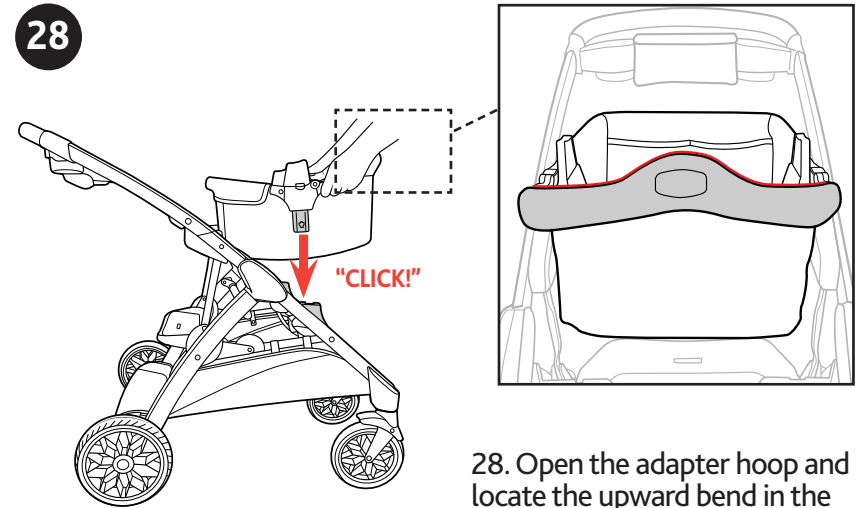
27

27. The Modular Seat can be removed to attach the Infant Car Seat Adapter. To remove the Modular Seat, press the buttons inside both hubs, as shown, and lift up to remove the seat.



How to Use Infant Car Seat Adapter

28



28. Open the adapter hoop and locate the upward bend in the adapter. This bend always faces to the front of the stroller.

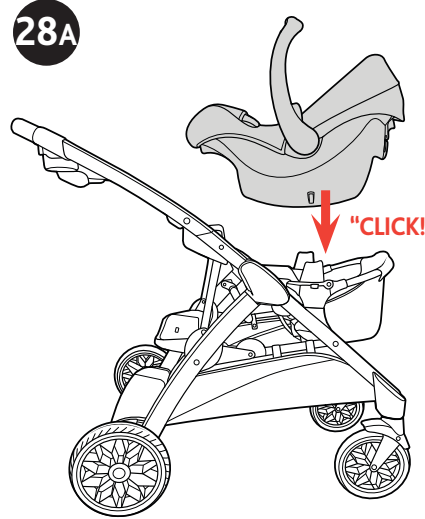
Line up the Tongues on both sides of the Infant Car Seat Adapter to the slots on the Stroller frame as shown. Push down until it clicks into place. Pull up on the Infant Car Seat Adapter to make sure it is securely attached to the Stroller Frame.

How to Use Infant Car Seat Adapter

⚠ WARNING

ONLY USE a Chicco infant car seat with this product. Always make sure child is properly harnessed in the car seat. Only use this product to transport infants that are within the size and weight limitations of the infant car seat. Refer to your Chicco infant car seat owner's manual for additional warnings and use instructions before using this product.

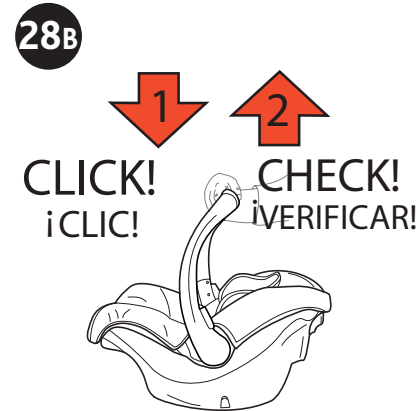
How to Use Infant Car Seat Adapter



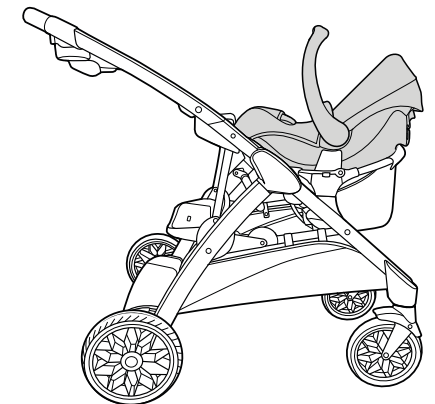
When using an Infant Car Seat with the Lower Modular position IN. Make sure the Grip Bar is removed before placing the Infant Car Seat into the adapter (See step 35), or use the Lower Modular Position OUT.

28A. With the Infant Car Seat Adapter attached, place the Chicco infant car seat into the adapter. The infant car seat can only be attached in a Parent-Facing position. Make sure infant car seat clicks into the Infant Car Seat Adapter on both sides.

Pull up on the infant car seat; make sure it is secured to Stroller Frame (28B). If the infant car seat is not secured see Step 28 to make sure the Infant Car Seat Adapter is assembled and attached correctly.

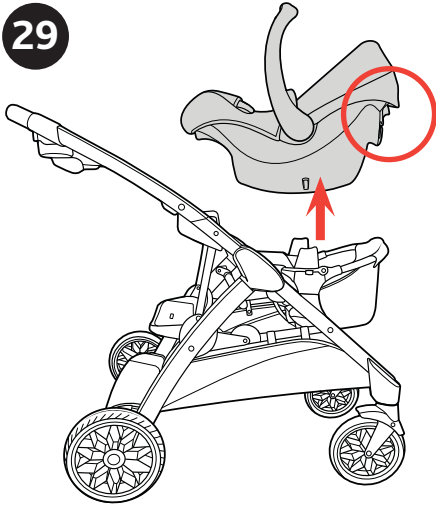


Parent-Facing Infant Seat in Lower Modular Position IN



How to Use Infant Car Seat Adapter

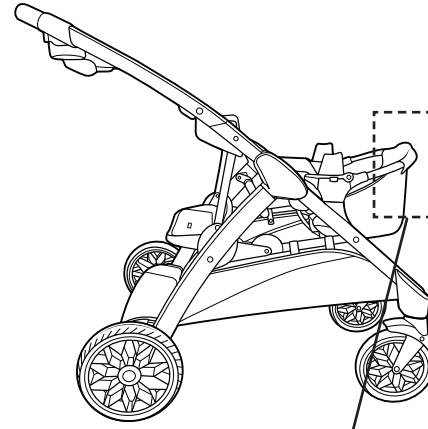
29



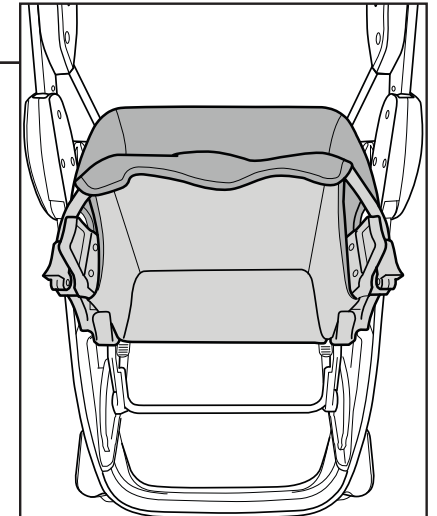
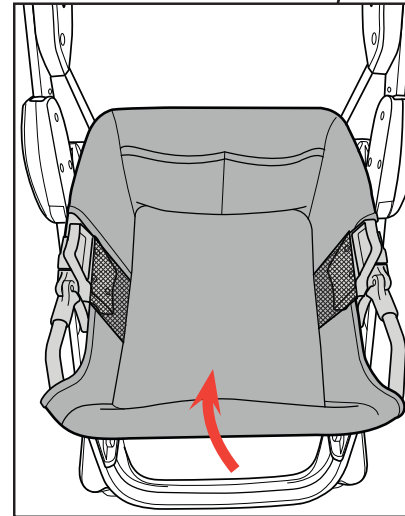
29. To remove the infant car seat , squeeze the Release Handle on the back of the infant car seat and lift up on the carrying handle.

How to Use Infant Car Seat Adapter

30

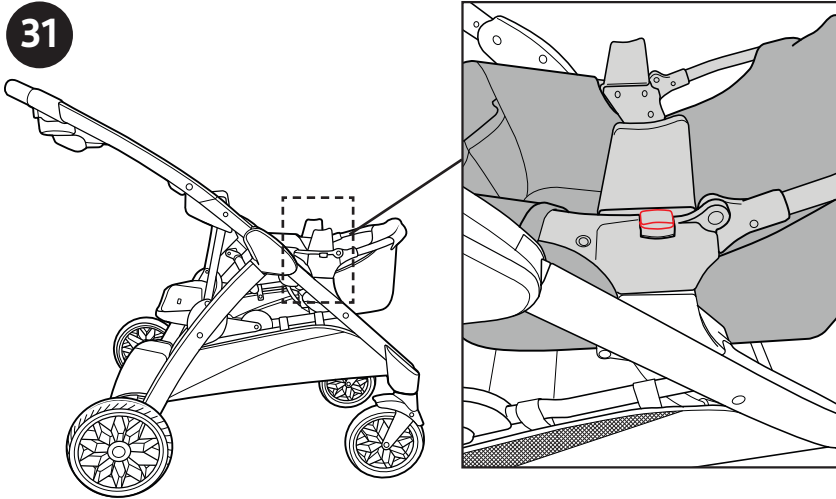


30. To fold the Infant Car Seat Adapter when not in use. Lift up on the front frame and rotate the frame towards the back frame.

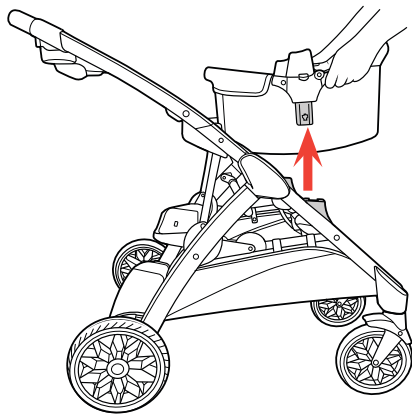


How to Use Infant Car Seat Adapter

31



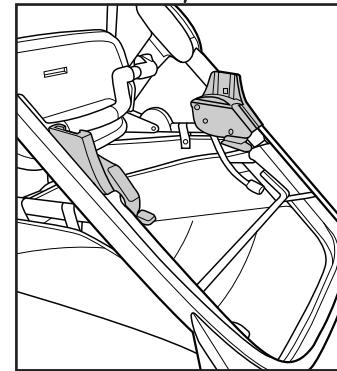
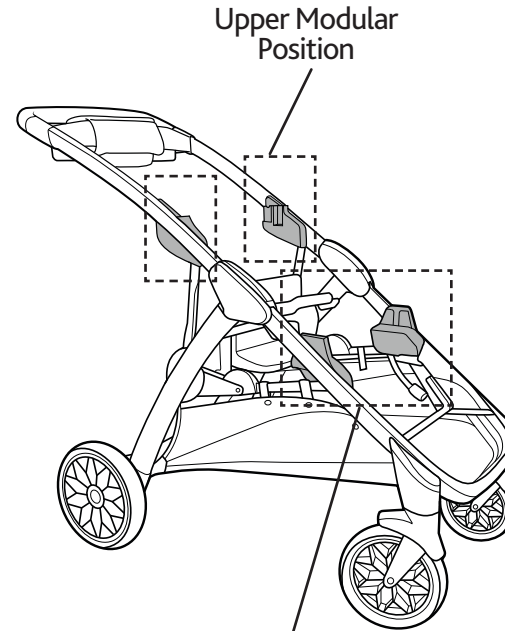
31. To remove the Infant Car Seat Adapter, press both buttons on the attachment and pull up.



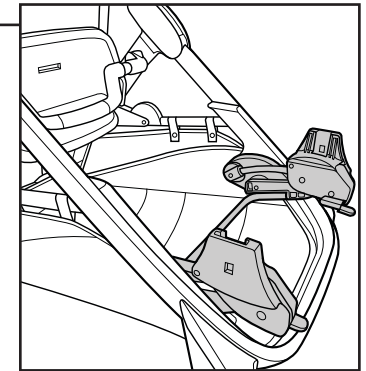
Modular Attachment Positions

32A

32A. The Stroller Frame has three modular positions:



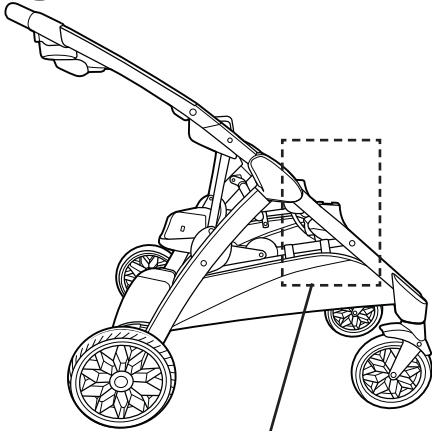
Lower Modular **IN** Position



Lower Modular **OUT** Position

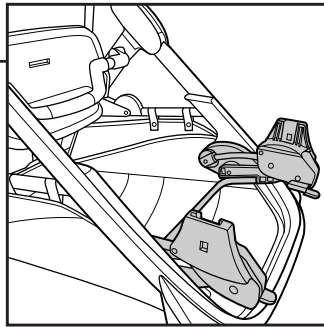
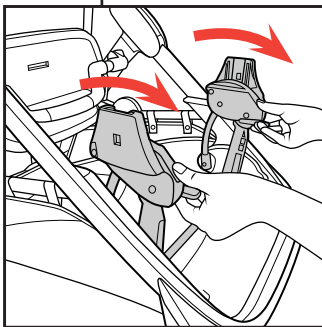
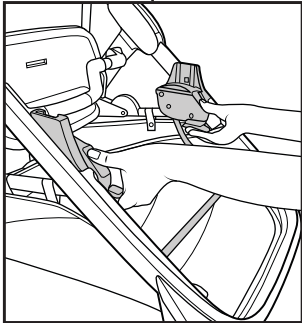
How to Use Lower Modular In/Out Position

32B



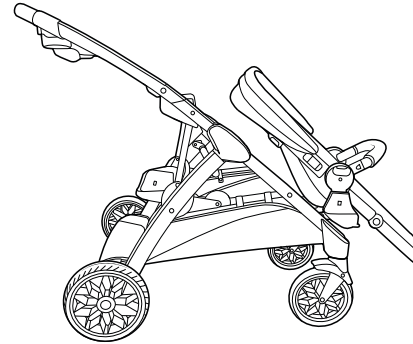
Positioning the Lower Modular attachment from IN position to the OUT position.

32B. Locate both release levers on the Lower Modular Attachment in the IN position. Squeeze and Rotate the Lower Modular Attachment forward to the OUT position.



How to Use Lower Modular In/Out Position

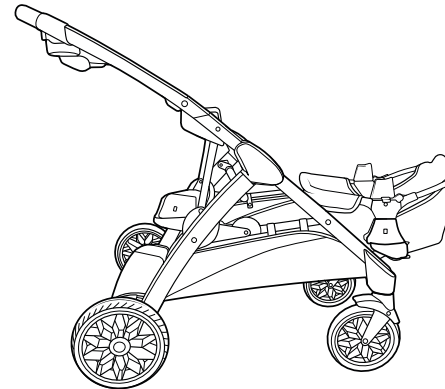
32C



32C. Both the Stroller Seat and the Infant Car Seat Adapter may be attached to the Lower Modular Attachment when in the OUT position. Reverse this step to move the Lower Modular Attachment to the IN position.

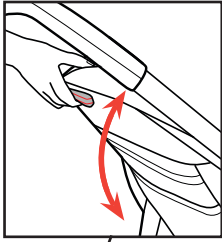
Lower Modular position IN = more compact footprint is easier to steer and navigate the Stroller.

Lower Modular position OUT = required for some configurations with an Infant Car Seat and also allows for full recline of the Modular Seat



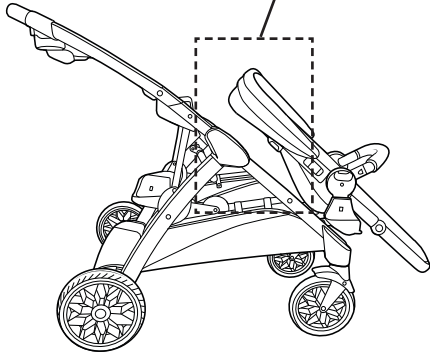
How to Use Lower Modular In/Out Position

33

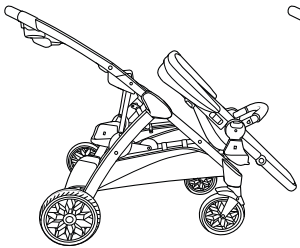


The Stroller Seat can be adjusted to 3 positions when the Lower Modular Attachment is in the OUT position

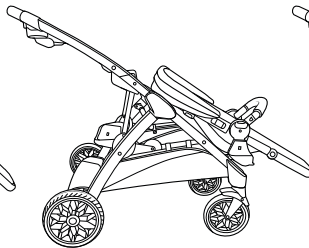
33. To recline the Seat, press the Recline Button on the back of the Seat, as shown. Rotate the Seat up or down to the desired position.



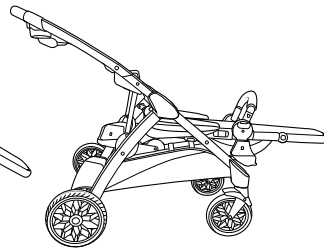
1.



2.

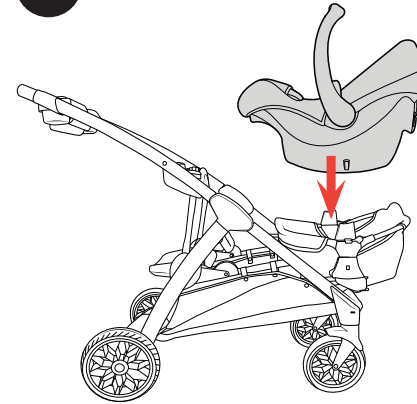


3.



How to Use Lower Modular In/Out Position

34A



The Infant Car Seat can be installed when the Lower Modular Attachment is in the OUT position

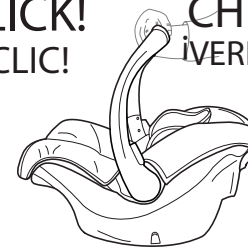
34A. Place the Chicco Infant Car Seat into the Infant Car Seat Adapter. The Infant Car Seat can only be attached in a Parent-Facing position. Make sure Infant Car Seat clicks into the Infant Car Seat Adapter on both sides.

Pull up on the Infant Car Seat; make sure it is secured to Stroller Frame (34B). If the Infant Car Seat is not secured see Step 28 to make sure the Infant Car Seat Adapter is assembled and attached correctly.

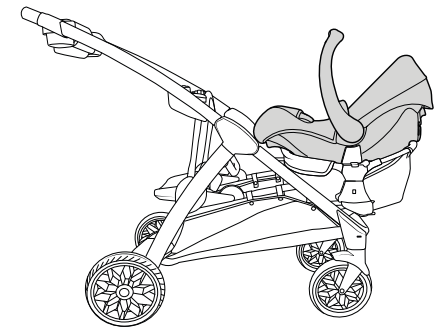
34B

1
CLICK!
iCLIC!

2
CHECK!
iVERIFICAR!

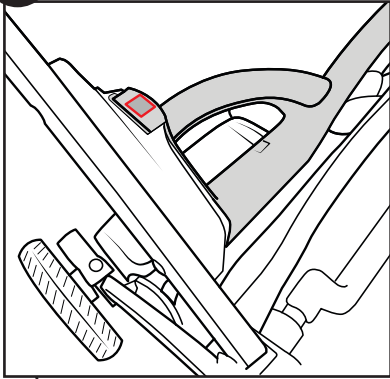


Parent-Facing Infant Seat in Lower Modular Position OUT



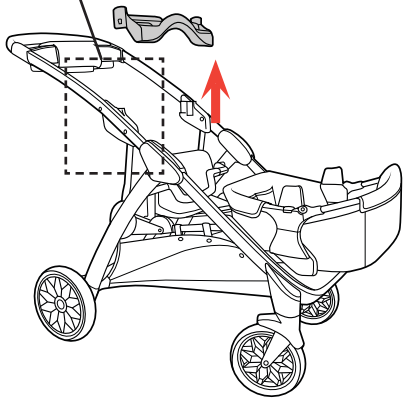
How to Use Upper Modular Position

35



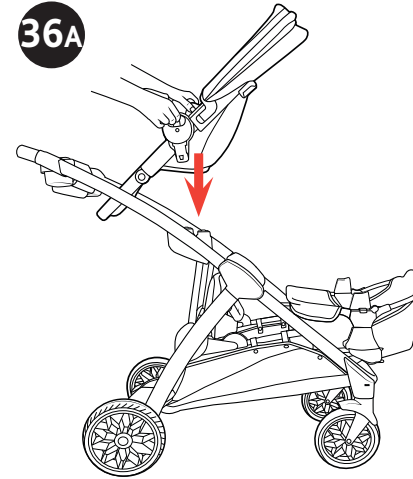
Using the Upper Modular Position, to attach the Stroller Seat or the Infant Car Seat Adapter.

35. Remove Grip Bars, press the release buttons on both sides. Lift up to remove. Set aside for later use.

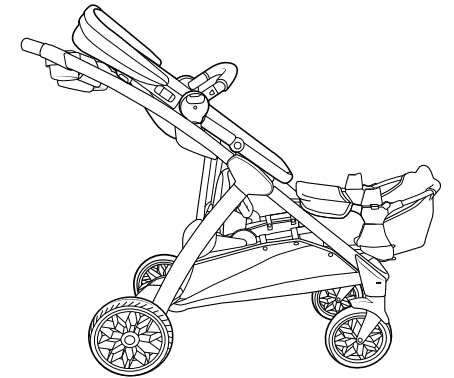
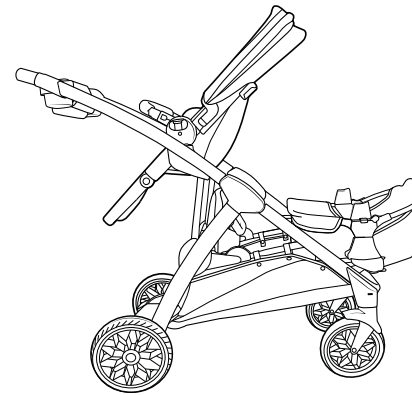


How to Use Upper Modular Position

36A

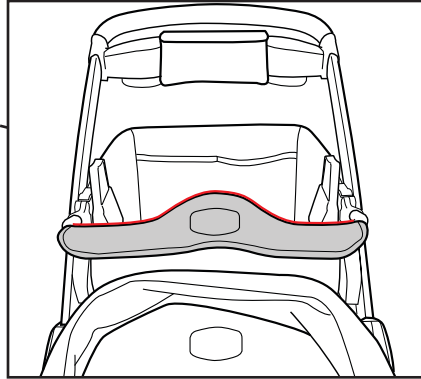
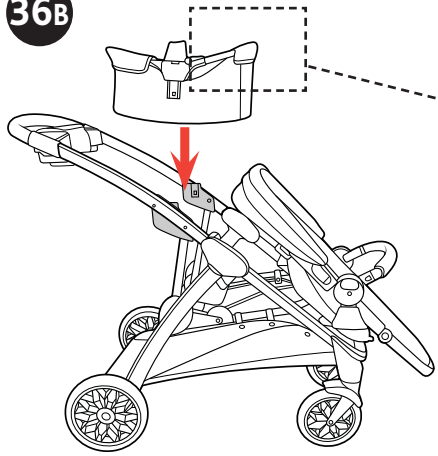


36A. In the Upper Modular Position, the Modular Seat can be attached in either the Parent-Facing or Forward-Facing directions.



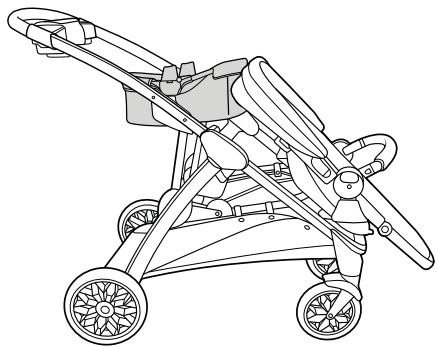
How to Use Upper Modular Position

36B



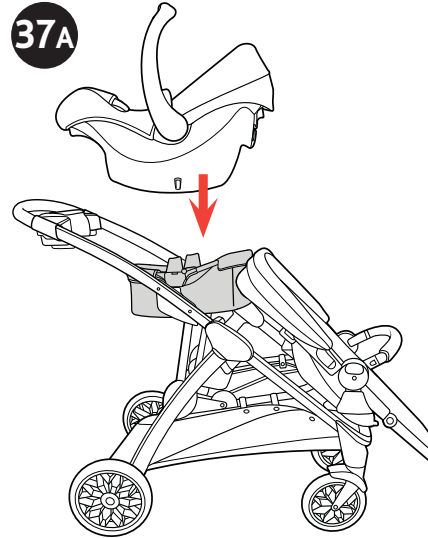
36B. Attach the Infant Car Seat Adapter with the bend in the hoop tubing facing forward.

Note: The Accessory Canopy must be removed when using the Car Seat Adapter in this position.



How to Use Upper Modular Position

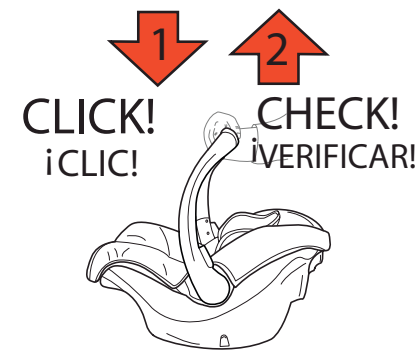
37A



37A. Place the Chicco Infant Car Seat into the Infant Car Seat Adapter. The Infant Car Seat can only be attached in a Parent-Facing position. Make sure Infant Car Seat clicks into the Infant Car Seat Adapter on both sides.

Pull up on the Infant Car Seat; make sure it is secured to Infant Car Seat Adapter (37B). If the Infant Car Seat is not secured, see Step 28 to make sure the Infant Car Seat Adapter is assembled and attached correctly.

37B

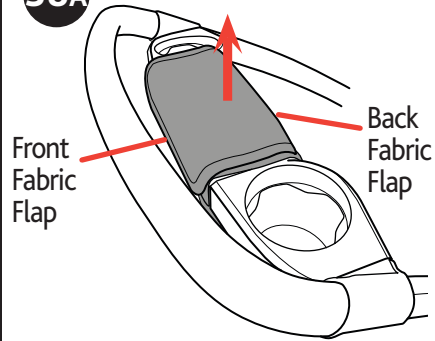


Parent-Facing Position



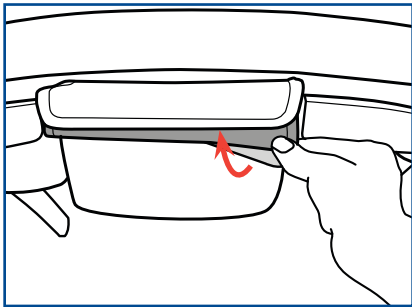
How to Use the Parent Tray Pocket

38A



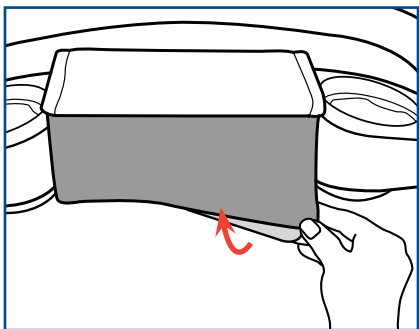
38A. Remove the Parent Tray Pocket from the Parent Tray, as shown.

Front Fabric Flap



Pull the front fabric edge down to release the plastic tab from the groove behind the front edge, as shown.

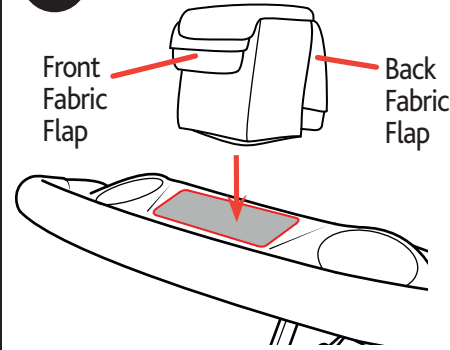
Back Fabric Flap



Pull the back fabric edge down to release the plastic tab from the groove behind the rear edge, as shown.

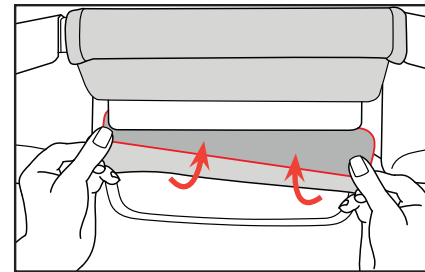
How to Use the Parent Tray Pocket

38B



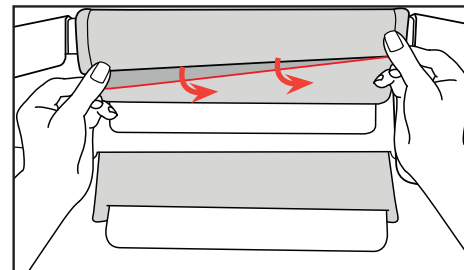
38B. Place the Parent Tray Pocket into the Parent tray, as shown.

Back Fabric Flap



Wrap the back fabric flap around and under the back edge of the parent tray, and tuck the plastic tab into the groove behind the back edge.

Front Fabric Flap



Flip front fabric flap under the front edge of parent tray, and tuck the plastic tab into the groove behind the front edge.

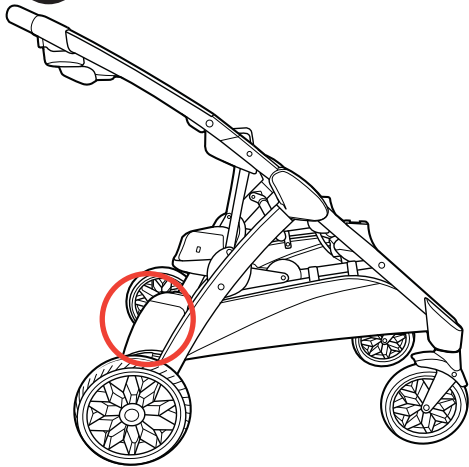
How to Fold the Stroller

⚠ WARNING

When folding the Stroller, make sure that your child and other children are at a safe distance. Ensure that during the operations, the movable parts of the Stroller do not come in contact with your child.

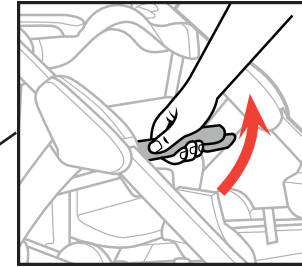
39A

39A. To Fold the Stroller, lock rear wheel brakes.

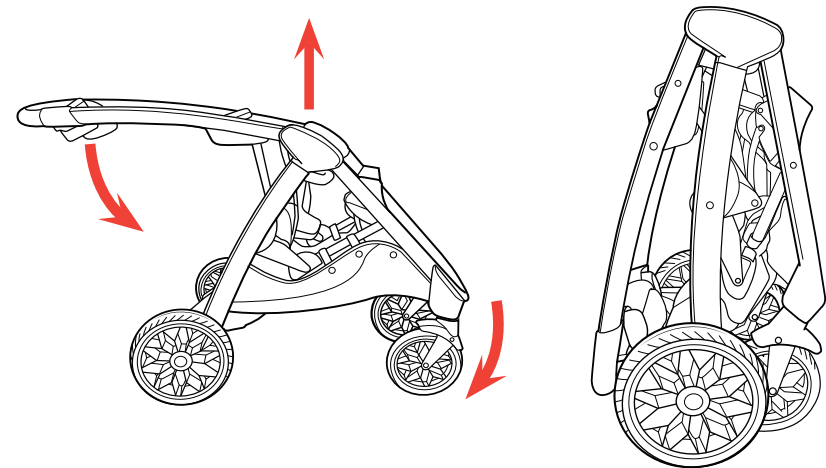


How to Fold the Stroller

39B

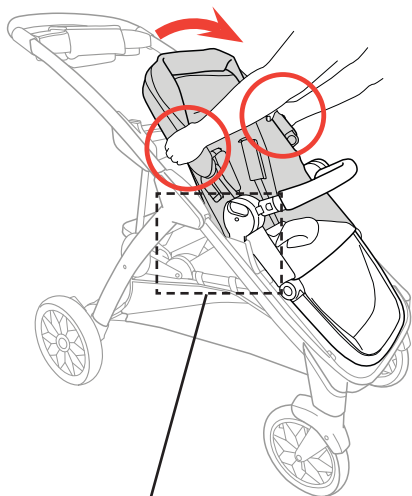


39B. Locate the Fold Handle and lift up on the handle, as shown. When the Stroller is folding, the front wheels will swivel to the side and Push Handle will fold down to make the Stroller compact.



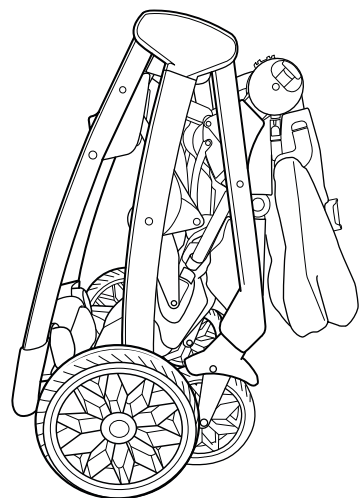
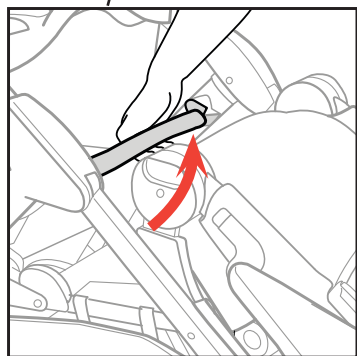
How to Fold the Stroller with Seat Attached

40



40. With the Seat in the Lower Modular IN Position and the footrest in position 2, see step 17.

Press both buttons along the back of the seat frame and rotate the seat back forward, as shown. Lift up on the Fold Handle to fold stroller.

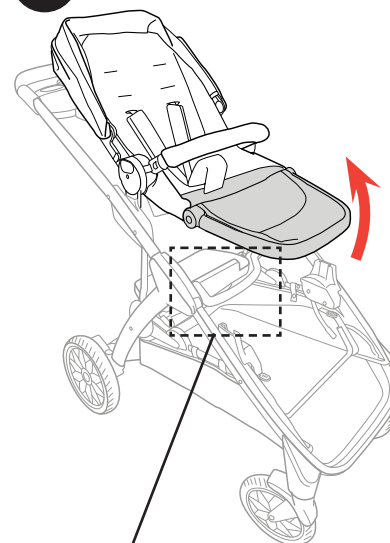


How to Fold the Stroller with Seat Attached

⚠ WARNING

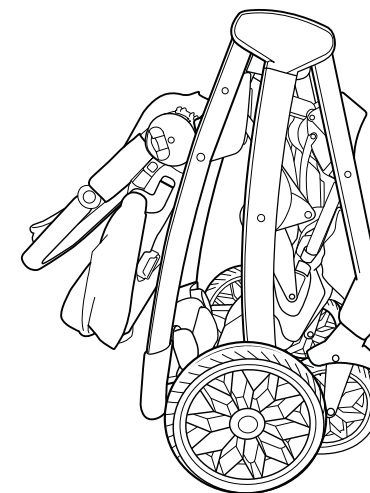
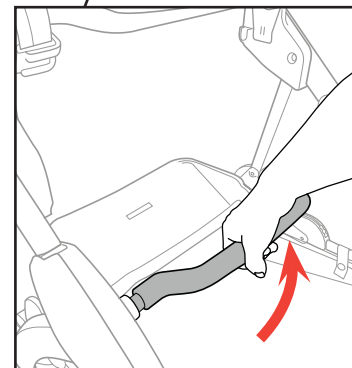
When folding the Stroller, make sure that your child and other children are at a safe distance. Ensure that during the operations, the movable parts of the Stroller do not come in contact with your child.

41



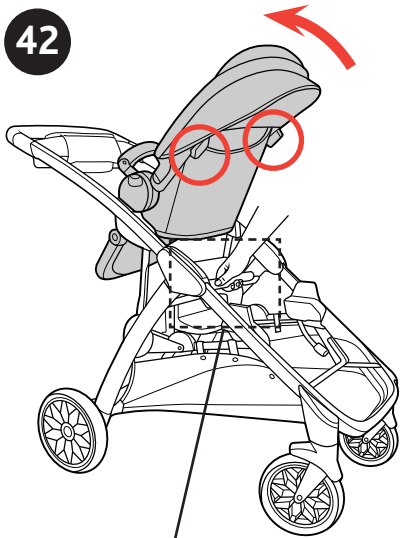
41. With the Seat in the Upper Modular Position and the footrest in position 2, see step 17.

Fold the Seat by flipping the bottom section up, as shown. Lift up on the Fold Handle to fold stroller.



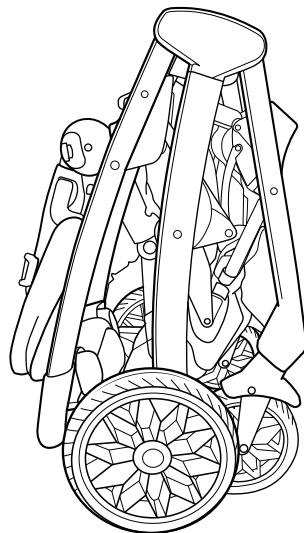
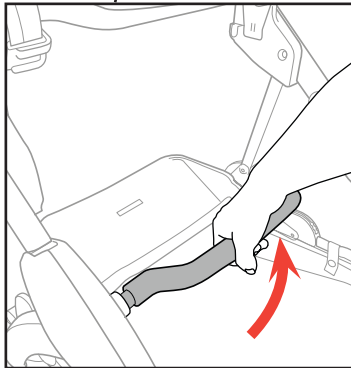
How to Fold the Stroller with Seat Attached

42



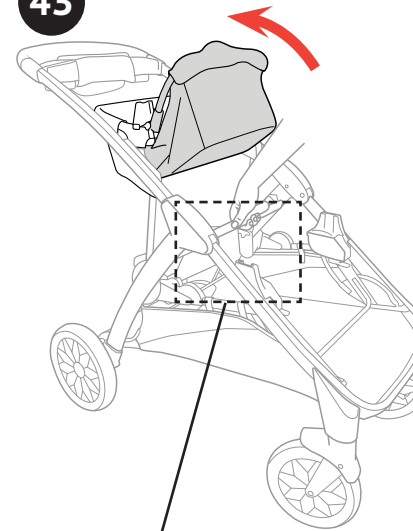
42. With the Seat in the Upper Modular Position Parent-Facing and the footrest in position 2, see step 17.

Press both buttons along the back of the seat frame and rotate the seat back forward, as shown. Lift up on the Fold Handle to fold stroller.

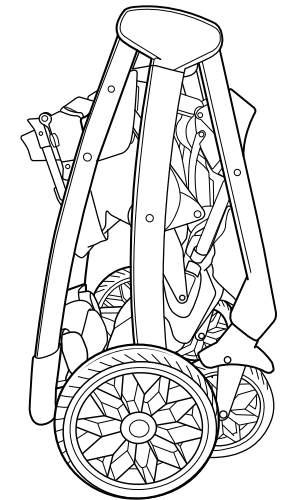
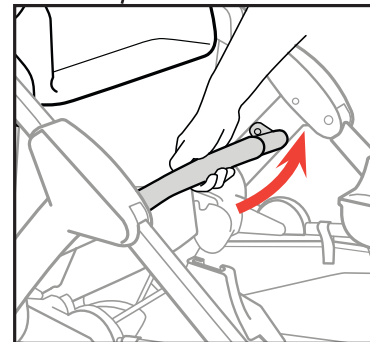


How to Fold the Stroller with Seat Attached

43



43. If the Car Seat Adapter is in the Upper Modular Position, make sure to fold the Car Seat Adapter as shown (see step 28). Lift up on the Fold Handle to fold stroller.

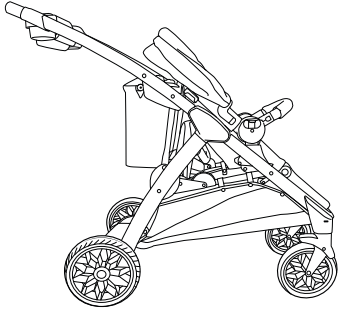


Product Use Modes

This product can be used in the following modes.

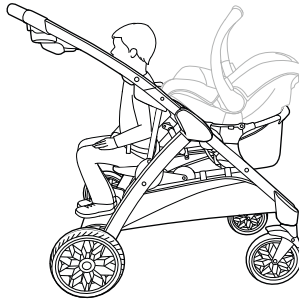
Additional configurations are available at www.chiccouusa.com, including modes that require the addition of a second Modular Seat and/or second Infant Car Seat Adapter.

Note: Chicco Infant Car Seat Sold Separate.



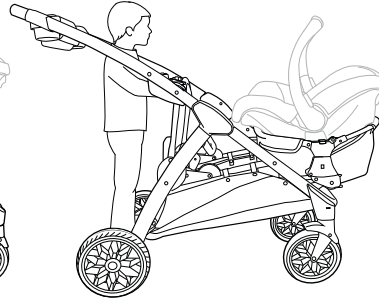
Small Shopping Basket

Lower IN Position:
Modular Seat
(Forward-Facing)



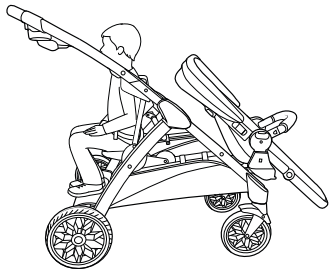
Youth Seat

Lower IN Position:
Infant Car Seat
(Parent-Facing)



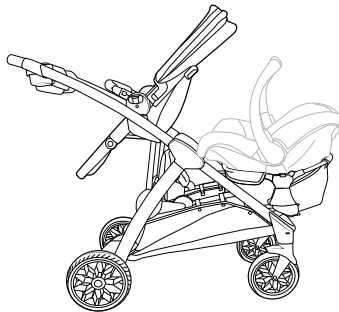
Standing

Lower OUT Position:
Infant Car Seat
(Parent-Facing)



Sit or Stand

Lower OUT Position:
Modular Seat
(Forward-Facing)



Upper Modular Position:

Modular Seat
(Parent-Facing)

Lower OUT Position:
Infant Car Seat
(Parent-Facing)



Upper Modular Position:

Infant Car Seat
(Parent-Facing)

Lower OUT Position:
Modular Seat
(Forward-Facing)

Cleaning and Maintenance

This product requires regular maintenance. The cleaning and maintenance of the stroller must only be carried out by an adult.

CLEANING

Removable fabric parts of the product may be machine washed separately in cold water and mild soap on delicate cycle. No bleach. Drip dry.

Periodically wipe clean plastic parts with a soft damp cloth. Always dry the metal parts to prevent the formation of rust if the stroller has come into contact with water.

MAINTENANCE

Lubricate the moving parts only if necessary, with a light application of a silicone based lubricant. Periodically check the condition of the wheels, and keep them clean of dust and sand. To avoid friction that may prevent the correct operation of the stroller, ensure that all the movable plastic parts placed along the metal frame are clean of dust, dirt or sand. Keep the stroller in a dry place. Prolonged exposure to direct sunlight may cause the fabric to fade.

For More Information

If you have any questions or comments about this product, or are missing any of the parts please do not return this product to the store. Contact us in one of the following ways:



(877)-424-4226



info.usa@artsana.com



www.chiccousa.com

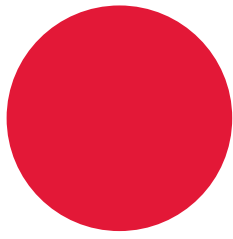


1826 William Penn Way
Lancaster, PA 17601

[**Kee-Ko**] If you say it right it makes you *smile*



SCAN HERE
LEARN HOW TO
ASSEMBLE & USE
CORSO FLEX



CORSO FLEX